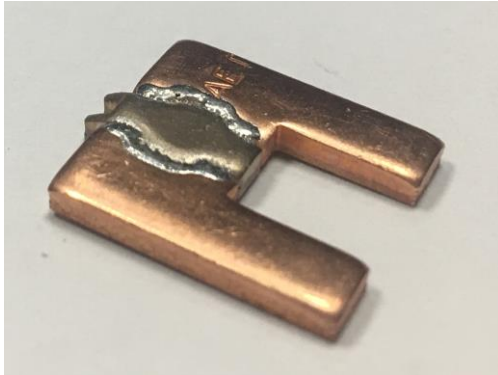




Meter Shunt Resistor, Very Low Value (down to 0.00006 Ohms)



FEATURES

- Ultra high power to resistor size ratio
- 4-terminal (Kelvin) connection design
- Proprietary processing technique produces extremely low resistance values
- All welded construction
- Very low inductance (< 0.5 nH)



STANDARD ELECTRICAL SPECIFICATIONS						
MODEL	SIZE	POWER RATING $P_{70^\circ\text{C}}$ W	TOLERANCE %	RESISTANCE VALUE RANGE Ω	RESISTANCE VALUES CURRENTLY AVAILABLE ⁽¹⁾ Ω	WEIGHT (typical) g/1000 pieces
TM14001	1400	5.0	+/-6.0	60 μ	60 μ	3100 DIP
				Total Resistance (2) DIP2 < 150 μ		

Note

- (1) Other values may be available, contact factory
- (2) See drawing for test condition
- (3) Test circuit

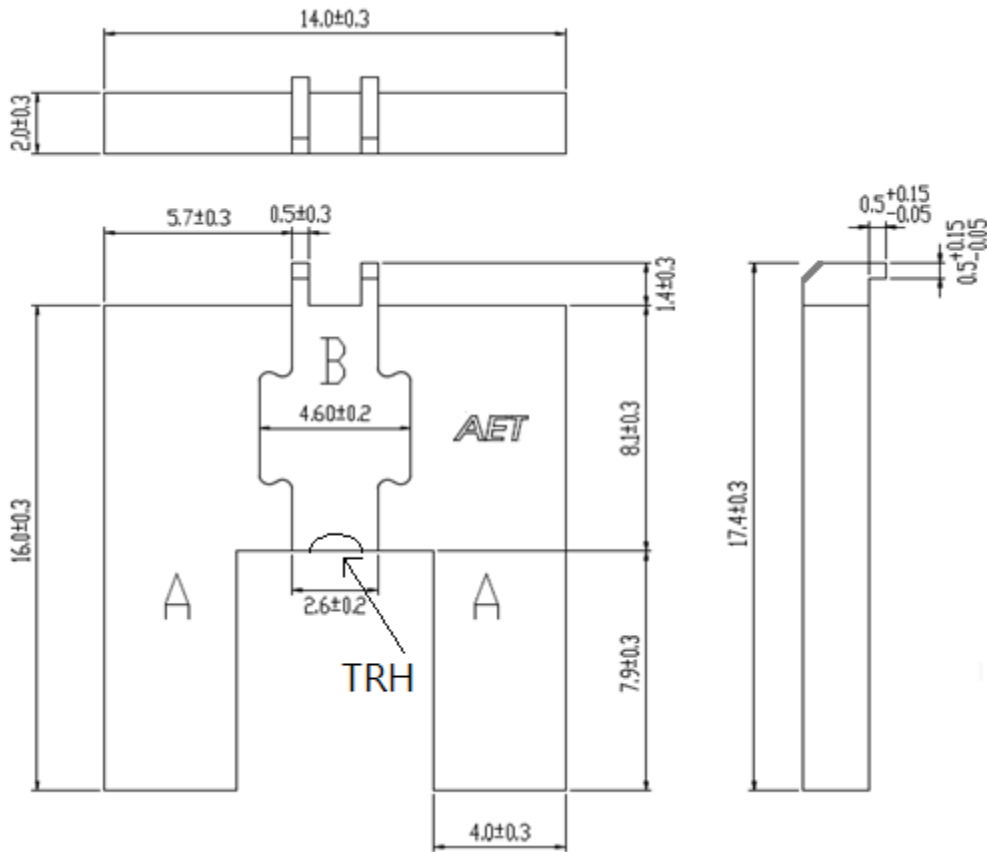
TECHNICAL SPECIFICATIONS		
PARAMETER	UNIT	RESISTOR CHARACTERISTICS
Temperature Coefficient	ppm/°C	400
Operating Temperature Range	°C	- 50 to +150
Maximum Current Rating	A	$(P/R)^{1/2}$

PART NUMBER INFORMATION																
PART NUMBERING: TM14001-M0600JM2D (TM14001, 0.00006 Ω , $\pm 6\%$)@25°C (A6E02A)																
T	M	1	4	0	0	1	-	M	0	6	0	0	J	M	2	D
MODEL		RESISTANCE VALUE			TOLERANCE CODE			PACKAGING CODE				SPECIAL				
TM14001		M = m Ω M0600 = 0.000060 Ω			J = $\pm 6.0\%$			P = DIP1 S=SMD M = DIP2 L=DIP3 I = DIP4				CONTACT DOT				



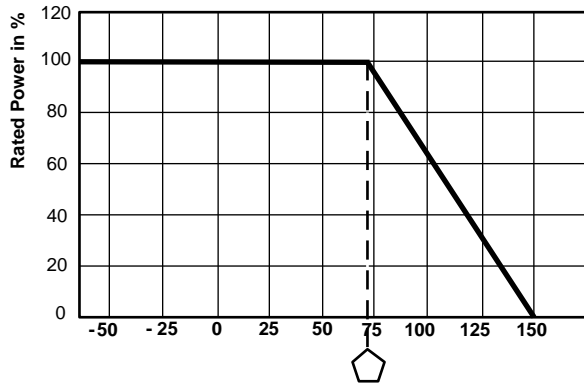
DIMENSIONS in millimeters

TM14001-M0600JM2D





DERATING



TOLERANCES ON DECIMALS
XXX ± 0.3

RESISTANCE VALUE ($\mu\Omega$)	RESISTOR THICKNESS (millimeter)	ELEMENT MATERIAL
60	2	Mn-Cu



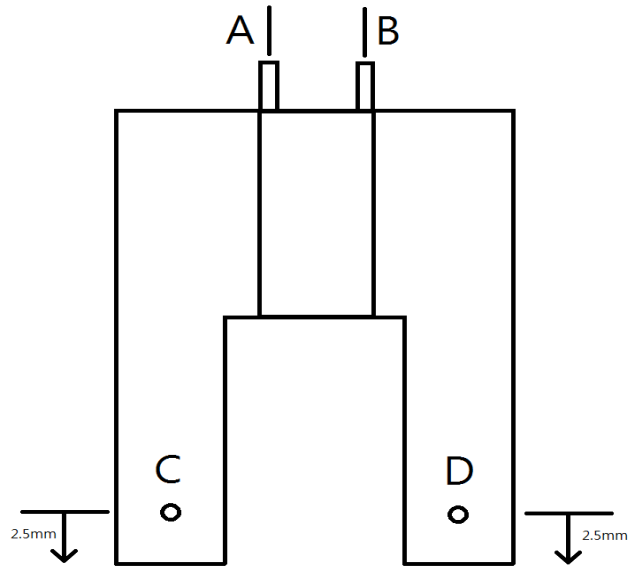
(2)

Resistance test:

1: Sense Resistance: Kelvin connect A-B 60u

2: Total Resistance: C-D < 150u DIP2

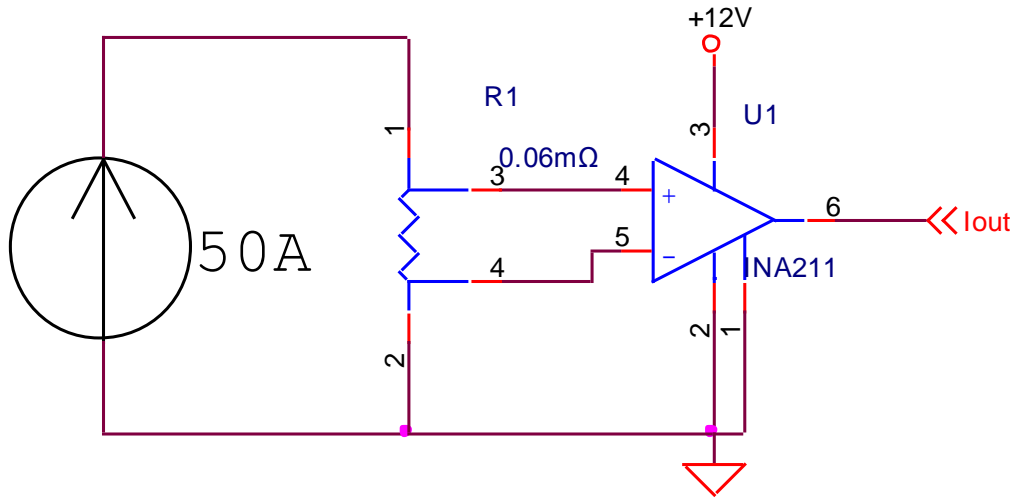
TM14001-M0600JM2D DIP2





(3)

Test Circuit:





IMPORTANT NOTICE

Apollo Energy Technology CO., LTD. (AET) reserves the right to make changes to its products or to discontinue any integrated circuit product or service without notice, and advises its customers to obtain the latest version of relevant information to verify, before placing orders, that the information being relied on is current.

A few applications using integrated circuit products may involve potential risks of death, personal injury, or severe property or environmental damage. AET integrated circuit products are not designed, intended, authorized, or warranted to be suitable for use in life-support applications, devices or systems or other critical applications. Use of AET products in such applications is understood to be fully at the risk of the customer. In order to minimize risks associated with the customer's applications, the customer should provide adequate design and operating safeguards.

Sales

Apollo Energy Technology CO., LTD.
2F., No.5-11, Sanjun St., Shulin Dist.,
New Taipei City 238, Taiwan (R.O.C.)
TEL: +886-2-2689 3162
FAX: +886-2-2689 3166